

No.KOPT/KDS/CIV/T/2439/2737

Date: 19.12.19

**CORRIGENDUM-I**

**Ref. Tender Notice No.:** KOPT/KDS/CIV/T/2439/101

**Dt.** 03.12.2019

**Tender Id No.** 2019\_KoPT\_524949\_1

**Name of Work :- Supply & installation of rubber fenders inside NSD Dock basin on all berths except 7 NSD berth & other allied works.**

The drawings as uploaded from page 76 to page 79 of the above tender may be treated as deleted. In place of those a fresh drawing of Cone Fender is attached .

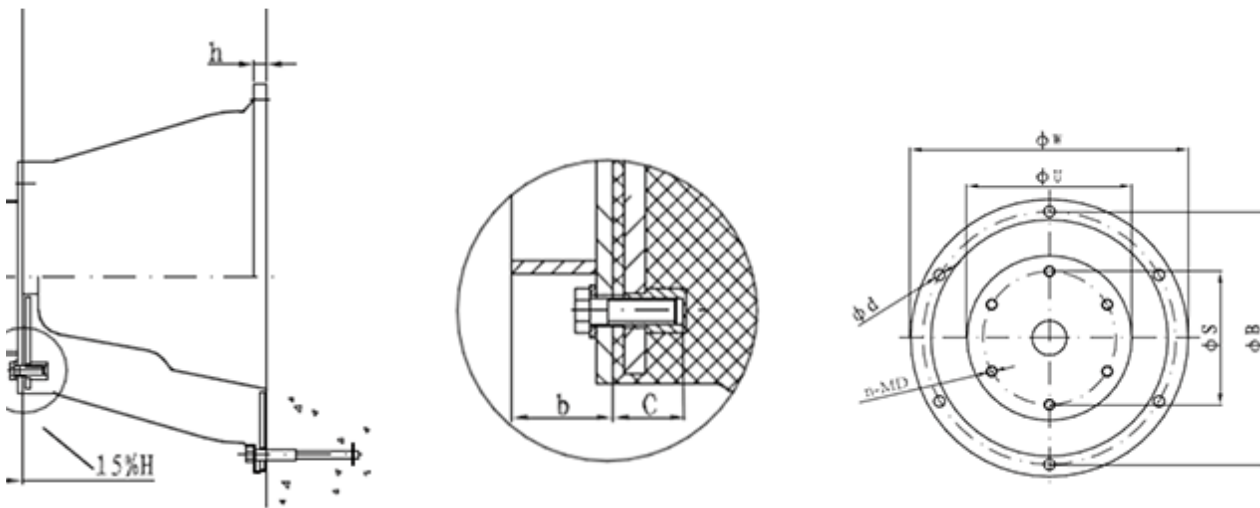
All other terms & conditions and Clauses will remain same as per original

**Superintending Engineer(Contract Cell)**

**For** □□□□□ □□□□□□□ / Chief

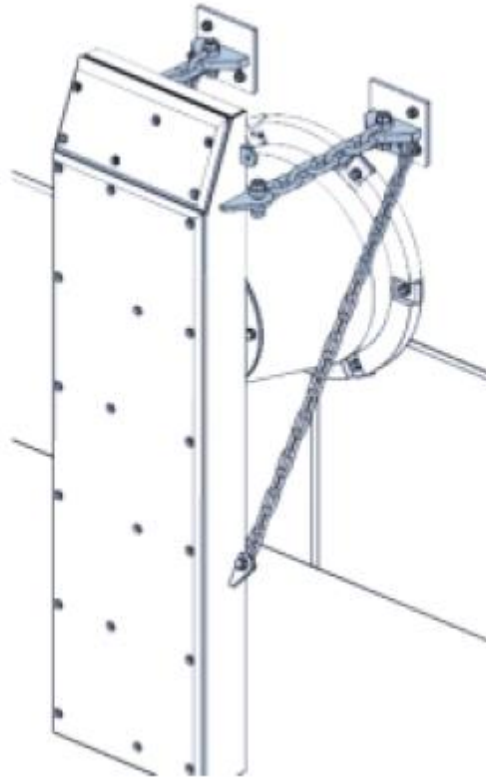
**Engineer**

## CONE FENDER WITH STEEL FORNTAL FRAME



### Dimensions (units: mm, kg)

	H	h	$\phi U$	$\phi W$	$\phi S$	$\phi B$	n-MD	d	C	weight
CONE600	600	22	510	900	390	810	6-M24	90-110	40	230



## Steel Frontal Frames

